



# HBJC390F841XX34B Series

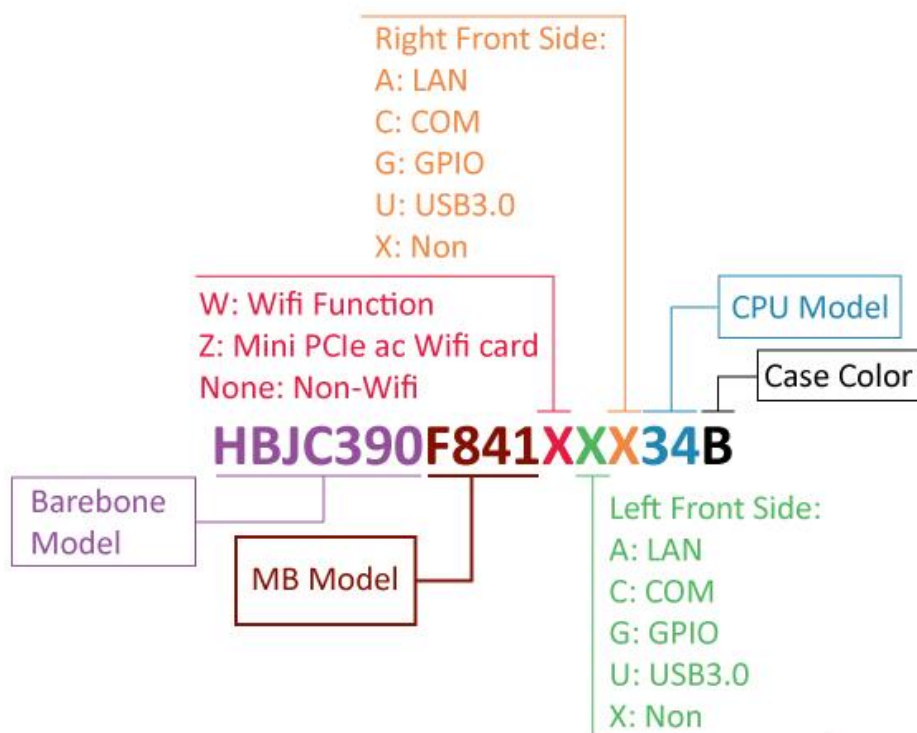
Intel® Apollo Lake SoC Processor, DDR3L 1866MHz up to 8GB



1. Intel® Apollo Lake SoC Processor (J3455)
2. 1 \* SO-DIMM DDR3L 1866MHz up to 8GB
3. 4 \* USB3.0, 2 \* COM, 2 \* HDMI, 1 \* Audio, 2 \* RJ45
4. Product Dimension: 185 x 165 x 48 mm
5. DC-12V\_60W Lockable Adapter



## Part Number Rule



## Specifications

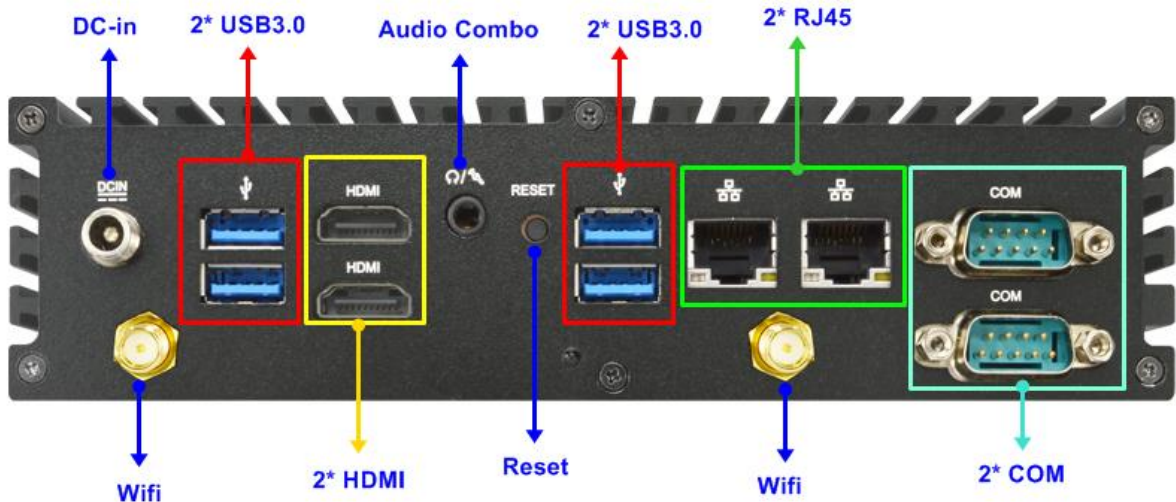
<b>MB Model</b>	JNF841B-3455		
<b>Part No.</b>	<b>No Expansion</b>	<b>4 LAN</b>	<b>4 COM</b>
		HBJC390F841XA34B	HBJC390F841CX34B
	HBJC390F841XX34B (Default)	<b>8 LAN</b>	<b>8 COM</b>
		HBJC390F841AA34B	HBJC390F841CC34B
	<b>16-bits GPIO</b>	<b>32-bits GPIO</b>	<b>4 USB3.0</b>
	HBJC390F841XG34B	HBJC390F841GG34B	HBJC390F841XU34B
	<b>4 COM + 4 LAN</b>	<b>4 COM + 4 USB3.0</b>	<b>4 LAN + 4 USB3.0</b>
	HBJC390F841CA34B	HBJC390F841CU34B	HBJC390F841AU34B
	<b>4 COM + 16-bits GPIO</b>	<b>4 LAN + 16-bits GPIO</b>	<b>16-bits GPIO + 4 USB3.0</b>
	HBJC390F841CG34B	HBJC390F841AG34B	HBJC390F841GU34B
	<b>No Expansion - Wifi</b>	<b>4 LAN - Wifi</b>	<b>4 COM - Wifi</b>
		HBJC390F841ZXA34B	HBJC390F841ZCX34B
	HBJC390F841ZXX34B	<b>8 LAN - Wifi</b>	<b>8 COM - Wifi</b>
		HBJC390F841ZAA34B	HBJC390F841ZCC34B
	<b>16-bits GPIO - Wifi</b>	<b>32-bits GPIO - Wifi</b>	<b>4 USB3.0 - Wifi</b>
	HBJC390F841ZXG34B	HBJC390F841ZGG34B	HBJC390F841ZXU34B
	<b>4 COM + 4 LAN - Wifi</b>	<b>4 COM + 4 USB3.0 - Wifi</b>	<b>4 LAN + 4 USB3.0 - Wifi</b>
	HBJC390F841ZCA34B	HBJC390F841ZCU34B	HBJC390F841ZAU34B
	<b>4 COM + 16-bits GPIO - Wifi</b>	<b>4 LAN + 16-bits GPIO - Wifi</b>	<b>16-bits GPIO + 4 USB3.0 - Wifi</b>
	HBJC390F841ZCG34B	HBJC390F841ZAG34B	HBJC390F841ZGU34B
<b>BIOS</b>	AMI EFI Flash ROM		
<b>CPU/Chipset</b>	Intel® Apollo Lake SoC Processor (J3455)		
<b>Memory</b>	1 * SO-DIMM DDR3L-1866MHz up to 8GB		
<b>Storage</b>	<ul style="list-style-type: none"> <li>● 1 * 2.5" SATA drive bay (only support 2.5" HDD with a height ≤ 10mm)</li> <li>● 1 * M.2 (M-key SATA Interface, only support 2280)</li> </ul>		
<b>Network</b>	<ul style="list-style-type: none"> <li>● 2 * Intel i211AT GbE</li> <li>● 2 * full size Mini-PCIe slot (Can be installed WiFi module &amp; 3G/4G module)</li> <li>● 1 * SIM card slot</li> </ul>		
<b>TPM</b>	TPM1.2/2.0 on-board (option)		
<b>Rear Panel I/O</b>	<ul style="list-style-type: none"> <li>● 4 * USB 3.0</li> <li>● 2 * HDMI 1.4 (Max. Resolution: 3840×2160@30Hz)</li> <li>● 2 * RJ45</li> <li>● 1 * Audio combo Jack (Line-out &amp; MIC)</li> <li>● 2 * COM (RS232)</li> <li>● 2 * Antenna holes (WiFi only)</li> <li>● Lockable DC-in jack</li> </ul>		
<b>Front Panel</b>	<ul style="list-style-type: none"> <li>● 1 * Power button + LED</li> </ul>		

<b>I/O</b>	<ul style="list-style-type: none"> <li>● 1 * HDD LED</li> <li>● COM (Expansion Module, support RS232/422/485)</li> <li>● Intel Gigabit LAN (Expansion Module)</li> <li>● USB3.0 (Expansion Module)</li> <li>● 16-Bits GPIO (Expansion Module)</li> </ul>
<b>Power Source</b>	<ul style="list-style-type: none"> <li>● DC 12V_60W Adapter</li> <li>● AC 90~240V input</li> </ul>
<b>Compliance</b>	CE, FCC, LVD
<b>Temperature</b>	<ul style="list-style-type: none"> <li>● Operating Temperature: 0 ~ 50°C (Under the condition of using 2.5" HDD)</li> <li>● Operating Temperature: -20 ~ 60°C (Under the condition of using mSATA) (The test environment is closed and windless)</li> <li>● Storage Temperature: -10 ~ 70°C</li> <li>● Humidity: 90%, non-condensing</li> </ul>
<b>Dimensions</b>	185 (W) x 165 (D) x 48 (H) mm
<b>Packing</b>	<ul style="list-style-type: none"> <li>● Net Weight: 2.4KG</li> <li>● Gross Weight: 3.4KG</li> <li>● Color Box dimension: 250 (W) * 118 (D) * 295 (H) mm</li> </ul>
<b>OS Support</b>	Windows 10, Linux
<b>Warranty</b>	2 Years limited warranty
<b>Applications</b>	<ul style="list-style-type: none"> <li>● Industrial Control System</li> <li>● Networking Server System</li> </ul>

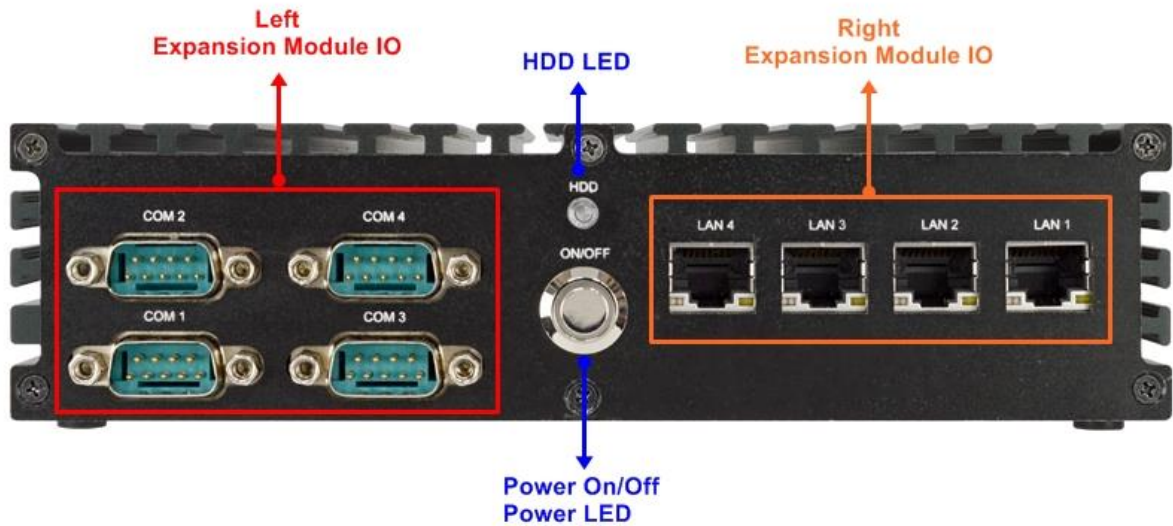
\* Specifications subject to change without notice, not responsible for typographical errors. Does not include HDD or OS.

## External I/O









### Rear



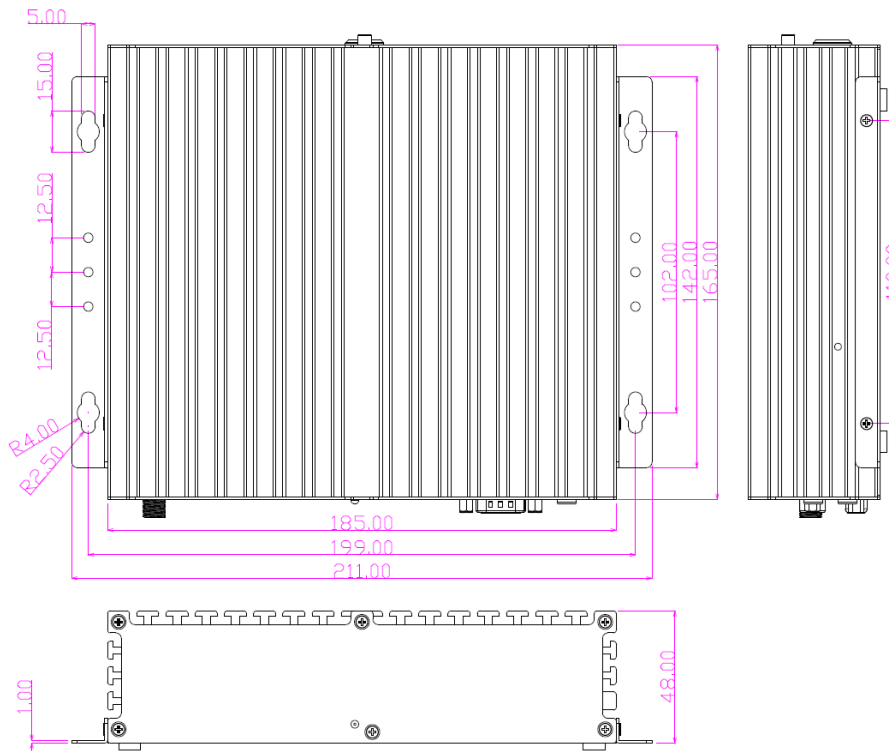
# Front



Model number	Front - IO
<ul style="list-style-type: none"> <li>● HBJC390F841XX34B</li> <li>● HBJC390F841ZXX34B</li> </ul>	
<ul style="list-style-type: none"> <li>● HBJC390F841XA34B</li> <li>● HBJC390F841ZXA34B</li> </ul>	
<ul style="list-style-type: none"> <li>● HBJC390F841CX34B</li> <li>● HBJC390F841ZCX34B</li> </ul>	
<ul style="list-style-type: none"> <li>● HBJC390F841XU34B</li> <li>● HBJC390F841Z XU34B</li> </ul>	
<ul style="list-style-type: none"> <li>● HBJC390F841XG4B</li> <li>● HBJC390F841Z XG34B</li> </ul>	
<ul style="list-style-type: none"> <li>● HBJC390F841CA34B</li> <li>● HBJC390F841ZCA34B</li> </ul>	

<ul style="list-style-type: none"> <li>● HBJC390F841CU34B</li> <li>● HBJC390F841ZCU34B</li> </ul>	
<ul style="list-style-type: none"> <li>● HBJC390F841CG34B</li> <li>● HBJC390F841ZCG34B</li> </ul>	
<ul style="list-style-type: none"> <li>● HBJC390F841AA34B</li> <li>● HBJC390F841ZAA34B</li> </ul>	
<ul style="list-style-type: none"> <li>● HBJC390F841CC34B</li> <li>● HBJC390F841ZCC34B</li> </ul>	
<ul style="list-style-type: none"> <li>● HBJC390F841AU34B</li> <li>● HBJC390F841ZAU34B</li> </ul>	
<ul style="list-style-type: none"> <li>● HBJC390F841AG34B</li> <li>● HBJC390F841ZAG34B</li> </ul>	
<ul style="list-style-type: none"> <li>● HBJC390F841GG34B</li> <li>● HBJC390F841ZGG34B</li> </ul>	
<ul style="list-style-type: none"> <li>● HBJC390F841GU34B</li> <li>● HBJC390F841ZGU34B</li> </ul>	

## Mechanical Drawings (Unit = mm)



## Accessories

Parts Number	Description
-----	HBJC390F841XX34B Series
Change according to shipping area	Power cord
L01AS052-F	Lockable Adapter 12V_60W
HCS370MWM01B-2-F	JC37x Wall mount bracket / Black color
LCSCHBJC3XX-F	Screw pack
HNSCOMWFAWCB161HF	Mini PCIe ac Wifi card (Wifi only)
J05-ANT-GX57245-F	Antenna2G4/5G 2.8dBi (WiFi only)
HCS3XXDINRAILPS-F	Din Rail Clip
J2ADPIE1ILAN4R20	Intel I211AT Giga LAN*4 Daughter Board (by product model)
J2ADPIE1G16IR10	PCIe x1 16bits GPIO Daughter Card (by product model)
J2ADPIE1U304R10	PCIe x1 USB3.0 4*Ports Daughter Card (by product model)
J2ADPIE1COM4R20	PCIe 4xCOM Ports Daughter Board (by product model)